

RETTEW
 RETTEW Associates, Inc.
 22 Westinghouse Drive, Chester Springs, PA 19325
 Phone: (610) 458-7000 Fax: (610) 458-4273
 Email: rettew@rettew.com
 Website: www.rettew.com
 Engineers • Planners • Surveyors • Landscape Architects

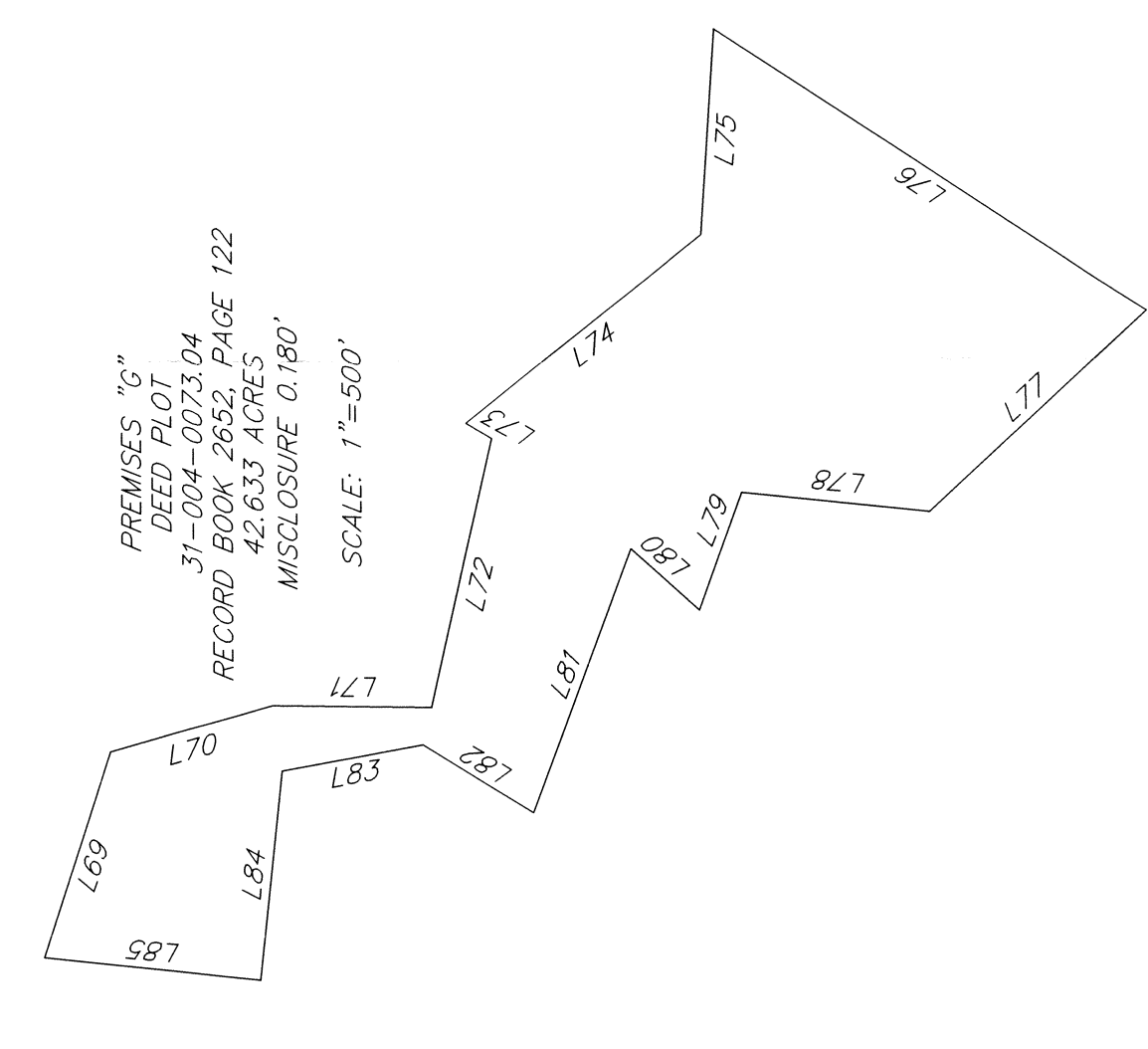
CLIENT
VALHALLA BRANDYME PARTNERS, L.P.
 801 MARSHALL ROAD
 GLEN MOORE, PA 19343

MANAGER: FOR RETTEW ASSOCIATES BY: _____
 SURV. CHIEF: FOR RETTEW ASSOCIATES BY: _____
 CK: _____
 DATA COLLECTION: _____
 DESIGN BY: _____
 CHKD BY: _____
 DRAWN BY: _____
 JDC: _____
 DRAWING REFERENCE: _____
 PROJECT: _____

NO.	DATE	REVISION

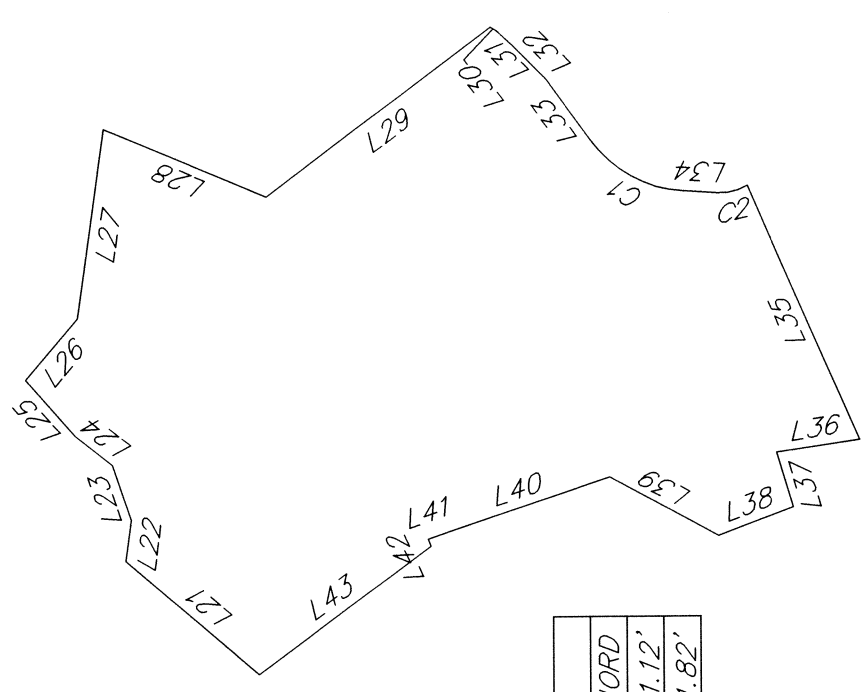
DRAFT

LINE	LENGTH	BEARING
L69	561.50	S71°55'00"E
L70	440.22	S15°42'00"E
L71	577.00	S72°00'00"E
L72	716.21	S77°03'00"E
L73	78.36	N29°55'00"E
L74	792.30	S58°41'00"E
L75	537.42	S68°08'00"E
L76	1349.70	S33°09'00"W
L77	405.35	N45°00'00"W
L78	324.82	N69°48'00"W
L80	238.50	N41°36'00"W
L81	230.00	N69°12'00"W
L82	337.80	N37°32'00"E
L83	522.77	N07°05'00"W
L85	562.47	N05°36'00"E



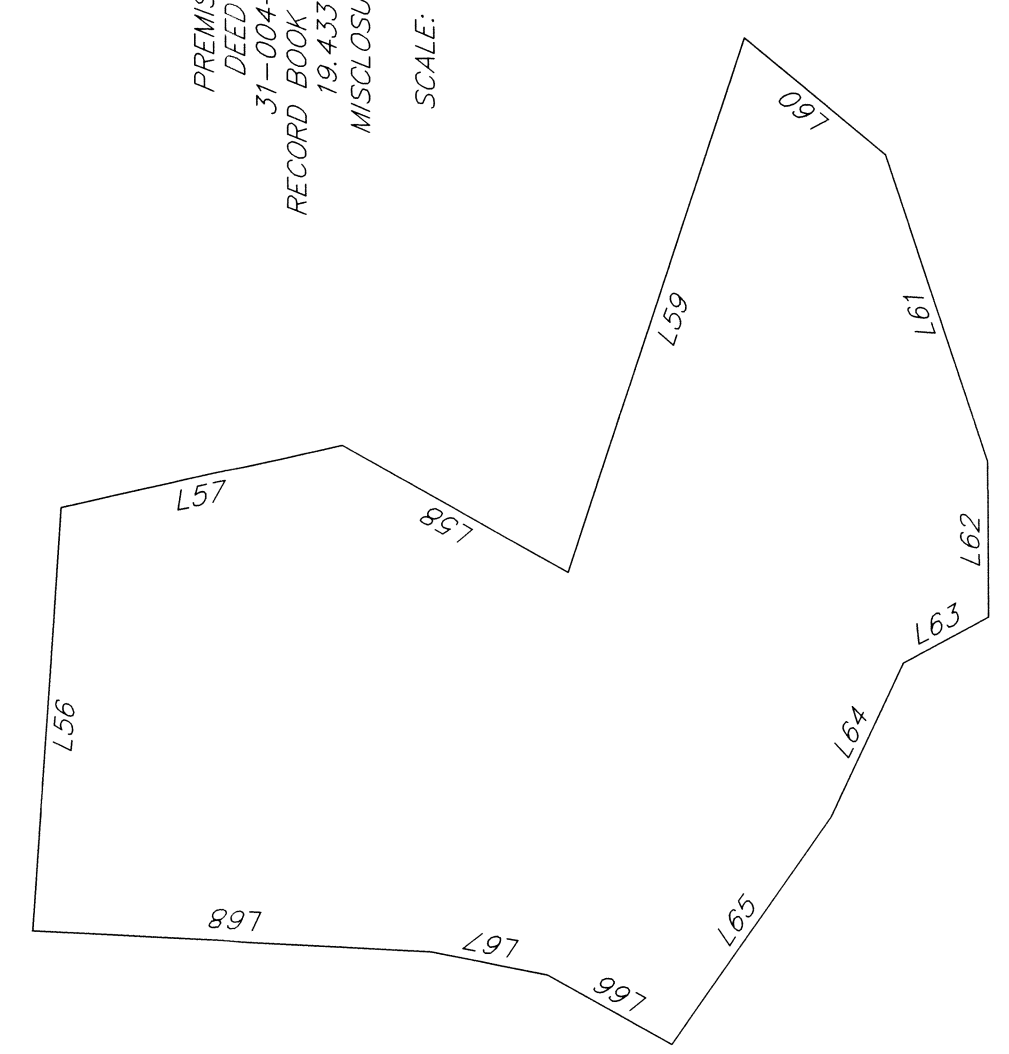
CURVE	RADIUS	DELTA	TANGENT	ARC	BEARING	CHORD
C1	650.00'	50°10'00"	304.25'	569.12'	S28°49'00"W	551.12'
C2	275.00'	34°15'20"	84.66'	164.45'	S13°22'40"E	161.86'

LINE	LENGTH	BEARING
L21	215.54	S82°18'00"E
L22	306.90	N17°18'00"E
L23	248.37	N39°23'00"E
L24	368.48	N45°38'00"E
L25	421.39	S59°36'45"E
L26	918.48	S21°21'00"W
L29	1459.69	S36°44'00"E
L30	34.31	S15°02'26"W
L31	120.42	S41°43'59"W
L32	247.76	S45°15'37"W
L33	376.20	S53°24'00"W
L34	376.20	S66°22'00"W
L35	1446.11	S66°22'00"W
L36	435.00	N08°23'00"W
L37	298.68	S23°53'00"W
L38	414.98	N20°52'00"W
L39	847.29	N28°34'00"E
L40	1116.00	N18°14'00"W
L41	12.69	N18°14'00"W
L42	39.60	S64°41'00"W
L43	1114.01	N36°16'00"W



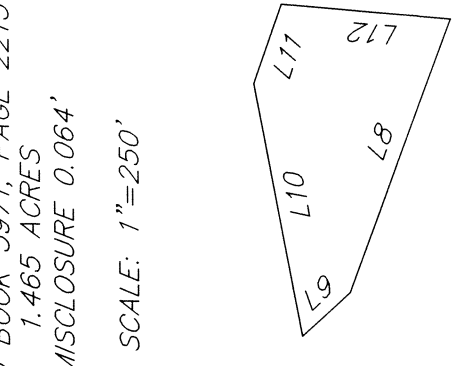
PREMISES "D"
 31-004-0088.00
 DEED PLOT
 RECORD BOOK 4969, PAGE 2381
 165.37 ACRES
 MISCLOSURE 0.062'
 SCALE: 1"=1000'

LINE	LENGTH	BEARING
L56	548.60	S85°56'00"E
L57	377.10	S12°06'00"E
L58	337.80	S89°11'00"W
L59	236.00	S71°24'00"E
L61	420.50	S71°50'00"W
L62	200.00	S89°45'00"W
L63	126.30	N27°26'00"W
L64	222.40	N64°33'00"W
L65	362.50	N54°23'00"W
L67	1471.00	N11°18'00"E
L68	154.95	N11°18'00"E
L69	521.40	N01°17'00"E



PREMISES "X"
 31-004-0074.00
 DEED PLOT
 RECORD BOOK 5864, PAGE 388
 42.633 ACRES
 MISCLOSURE 0.690'
 SCALE: 1"=250'

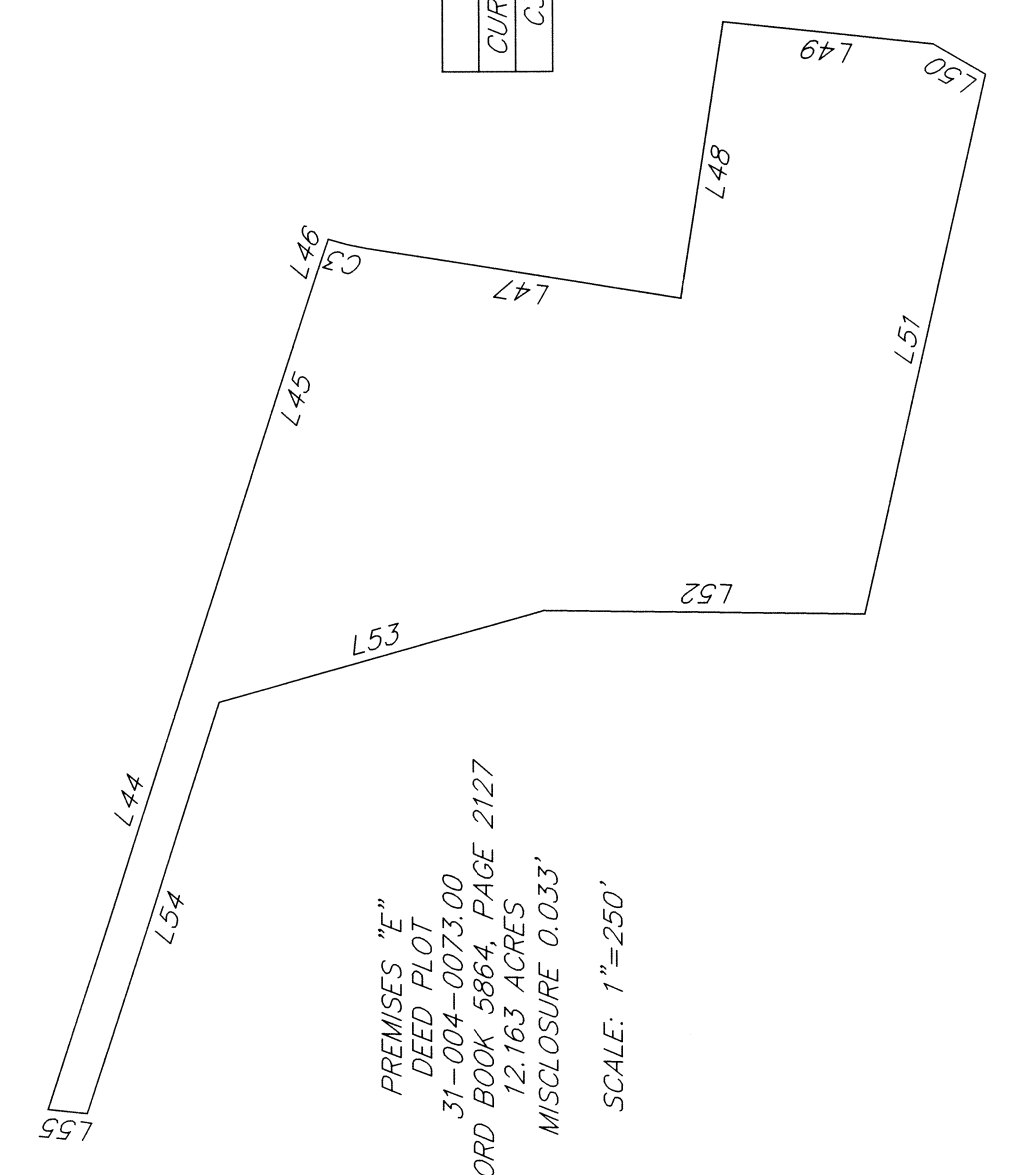
LINE	LENGTH	BEARING
L8	377.80	N69°32'00"W
L9	84.14	N41°42'00"W
L10	333.92	N79°17'00"E
L11	376.20	S70°36'00"E
L12	221.43	S62°42'00"W



PREMISES "B"
 31-004-0086.01
 DEED PLOT
 RECORD BOOK 3971, PAGE 2213
 1.465 ACRES
 MISCLOSURE 0.064'
 SCALE: 1"=250'

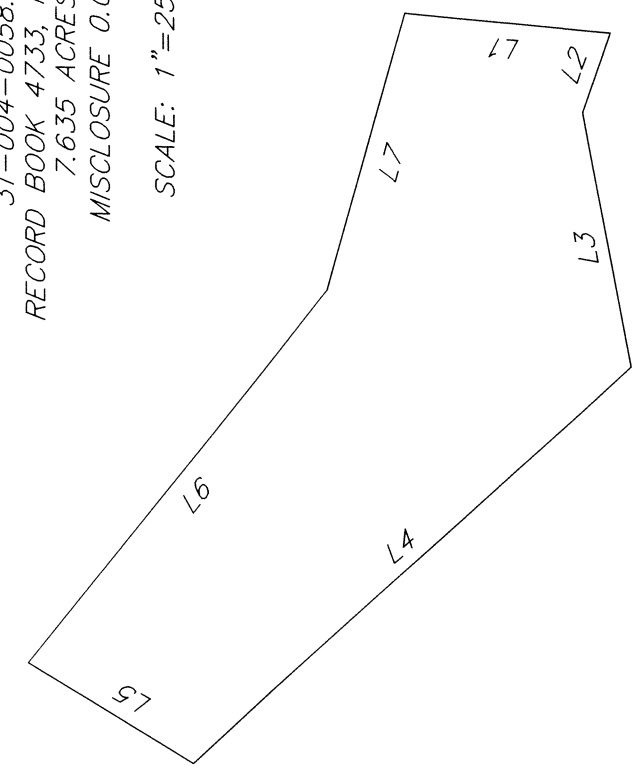
LINE	LENGTH	BEARING
L44	628.67	S71°55'00"E
L45	50.20	S71°55'00"E
L46	50.20	S71°55'00"E
L47	414.20	S09°07'00"W
L48	362.57	S80°54'00"E
L49	275.15	S06°10'00"W
L50	78.36	S29°59'00"W
L51	418.73	N03°00'00"W
L52	418.73	N03°00'00"W
L53	440.22	N15°42'00"W
L54	561.50	N71°55'00"W
L55	51.09	N06°16'00"E

CURVE	RADIUS	DELTA	TANGENT	ARC	BEARING	CHORD
C3	375.00'	7°53'52"	26.89'	51.69'	S13°14'22"W	51.65'



PREMISES "E"
 31-004-0074.00
 DEED PLOT
 RECORD BOOK 5864, PAGE 2127
 12.165 ACRES
 MISCLOSURE 0.003'
 SCALE: 1"=250'

LINE	LENGTH	BEARING
L1	269.80	S05°42'00"W
L2	176.00	S70°00'00"W
L3	333.92	S79°17'00"W
L4	720.63	N41°42'00"W
L5	251.27	N31°31'00"E
L6	622.00	S89°54'00"E
L7	372.05	S74°31'00"E



PREMISES "I"
 31-004-0068.00
 DEED PLOT
 RECORD BOOK 1062, PAGE 1062
 163.15 ACRES
 MISCLOSURE 0.063'
 SCALE: 1"=250'