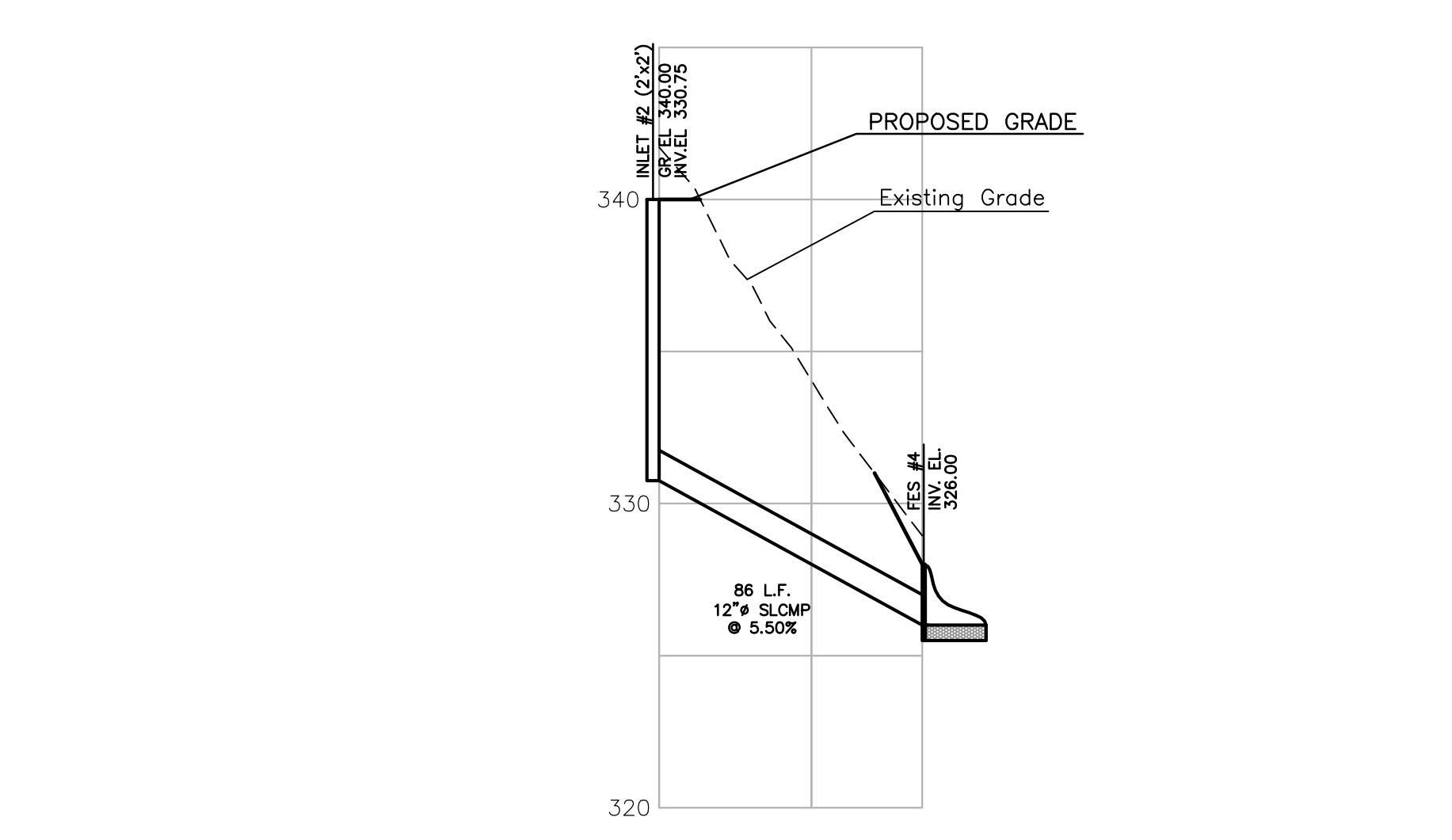
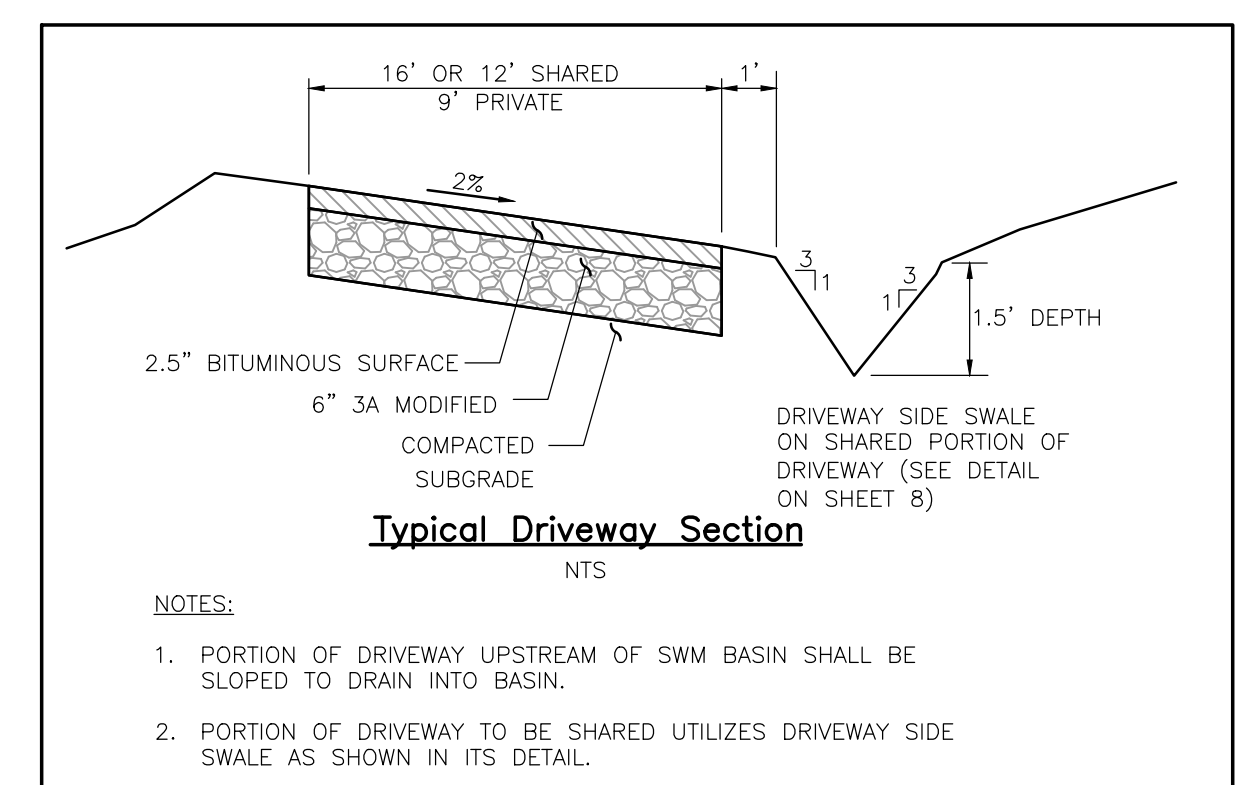


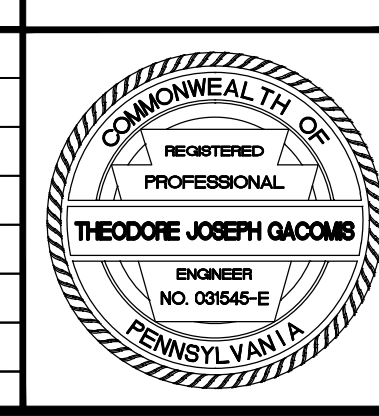
Profile - Inlet #1 to FES #3
SCALE: HOR. 1"=50'; VERT. 1"=5'



Profile - Inlet #2 to FES #4
SCALE: HOR. 1"=50'; VERT. 1"=5'



NO.	DATE	REVISION
4	8/26/11	REV. PER TOWNSHIP ENGINEER REVIEW LETTER DATED 7/8/11.
3	5/16/11	DRIVEWAY LOCATION FOR LOTS 2 & 3 MOVED 75' WEST.
2	5/25/07	FINAL PLAN
1	3/1/07	AS PER TWP & CCCD REVIEW



FINAL SITE PROFILES

PLAN OF PROPERTY

FOR

HETTIE HERZOG

WEST VINCENT TOWNSHIP CHESTER COUNTY, PA

Edward B. Walsh & Associates, Inc.
 CIVIL ENGINEERS & SURVEYORS
 Lionville Professional Center
 125 Dowlin Forge Road
 Exton, Pennsylvania 19341
 Phone: (610) 903-0060
 Fax: (610) 903-0080

PROJECT #3647
 DATE: 10-5-06
 SCALE: AS NOTED
 DRAWN: ASH
 CHECKED: TJG
 SHEET: 5 OF 8

Plotted: 4/16/2015 File: F:\J\B\3647\DWG\SHEETS\5 SITE PROFILES.DWG